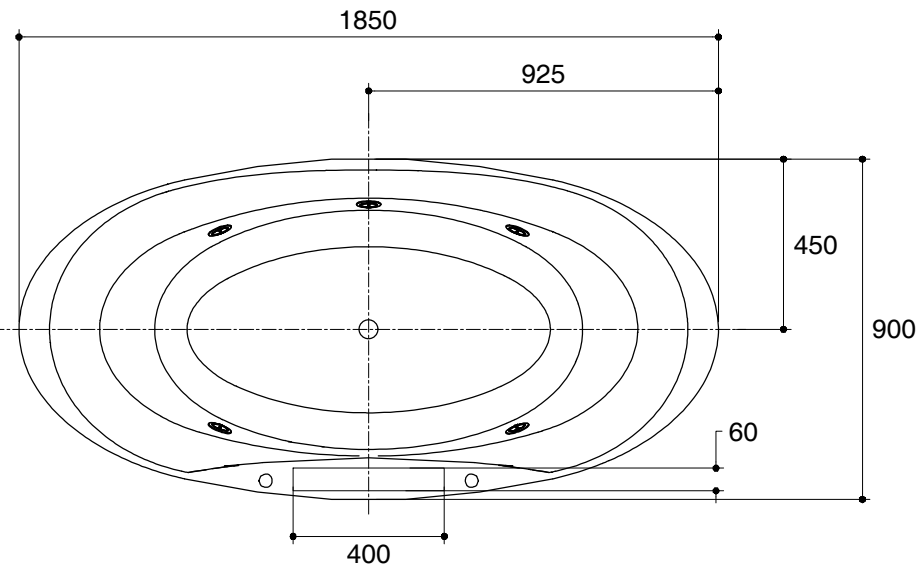


Dimensions are approximate.

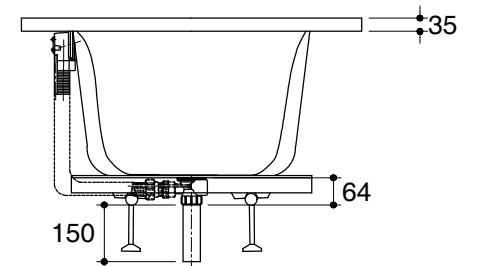
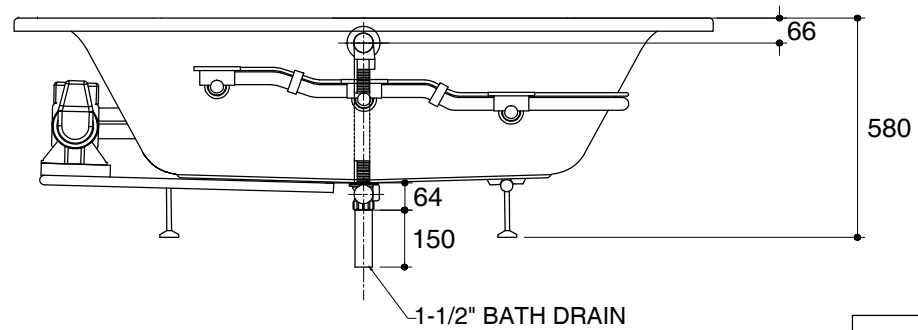
Unit: mm



 Recommended Faucet Area

Pump(Blower Motor)
Control Access
W500xH450

Customer Interface Access Panel
W500 x H450



SKU	K-6047X-K-0
Name	PRESQUILE
Description	WHIRLPOOL WITH FLAT JET

KOHLER

*The recommended dimension for installation can be adjusted according to user preferences and layout.